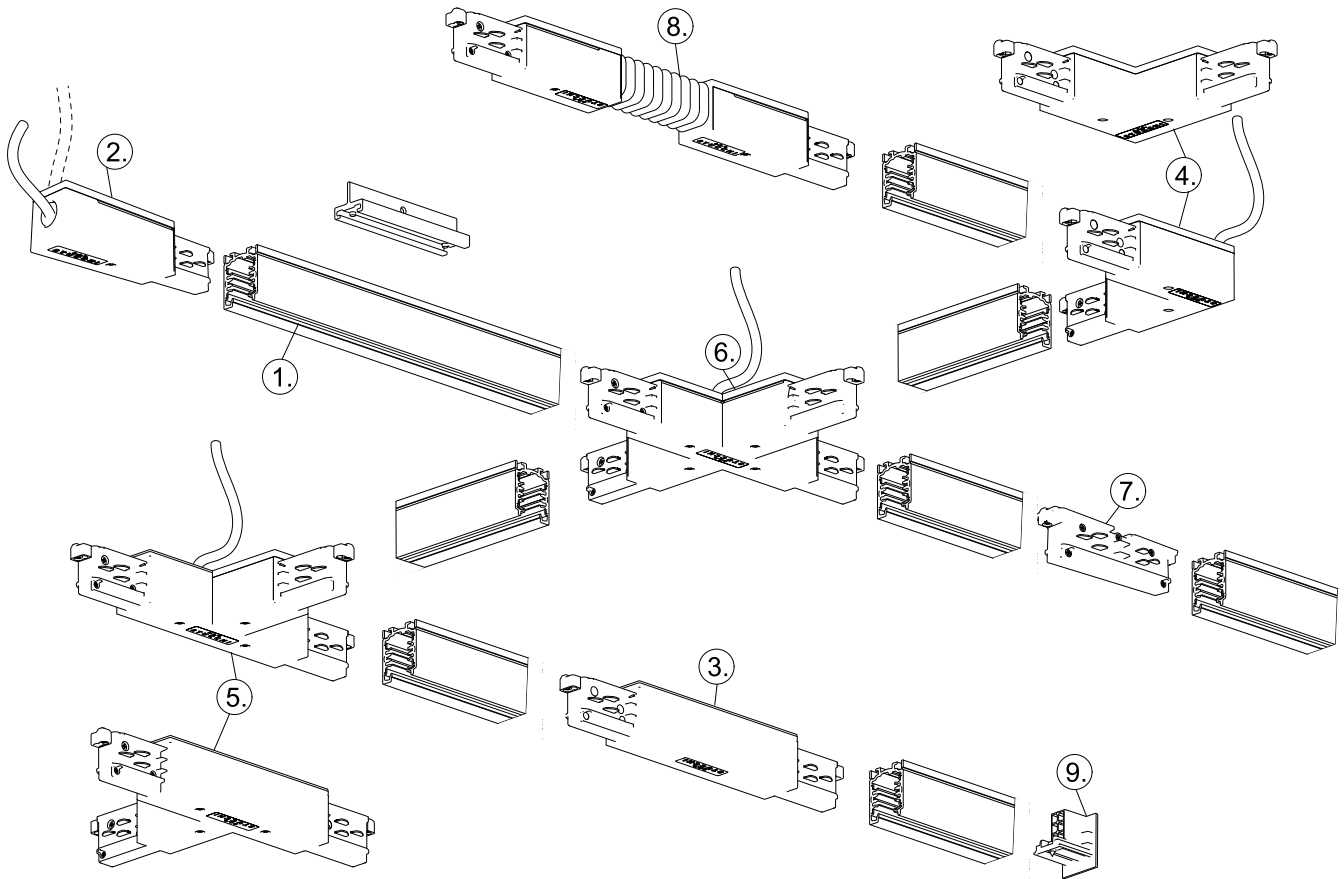
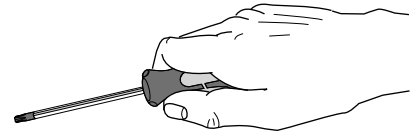


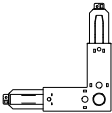
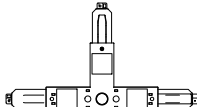
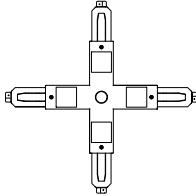
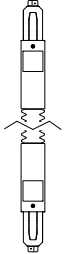


FAGERHULT

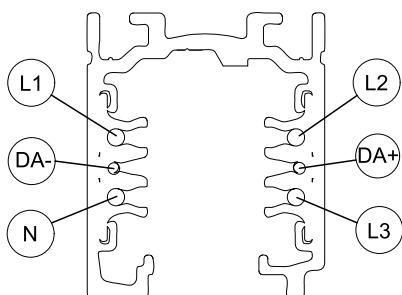
SE - 566 80 Habo

Control Track

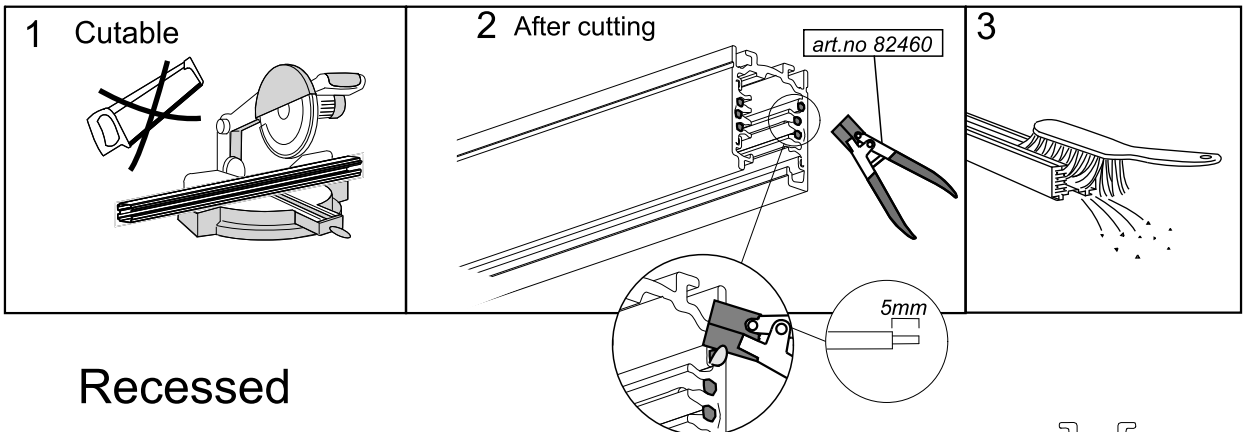
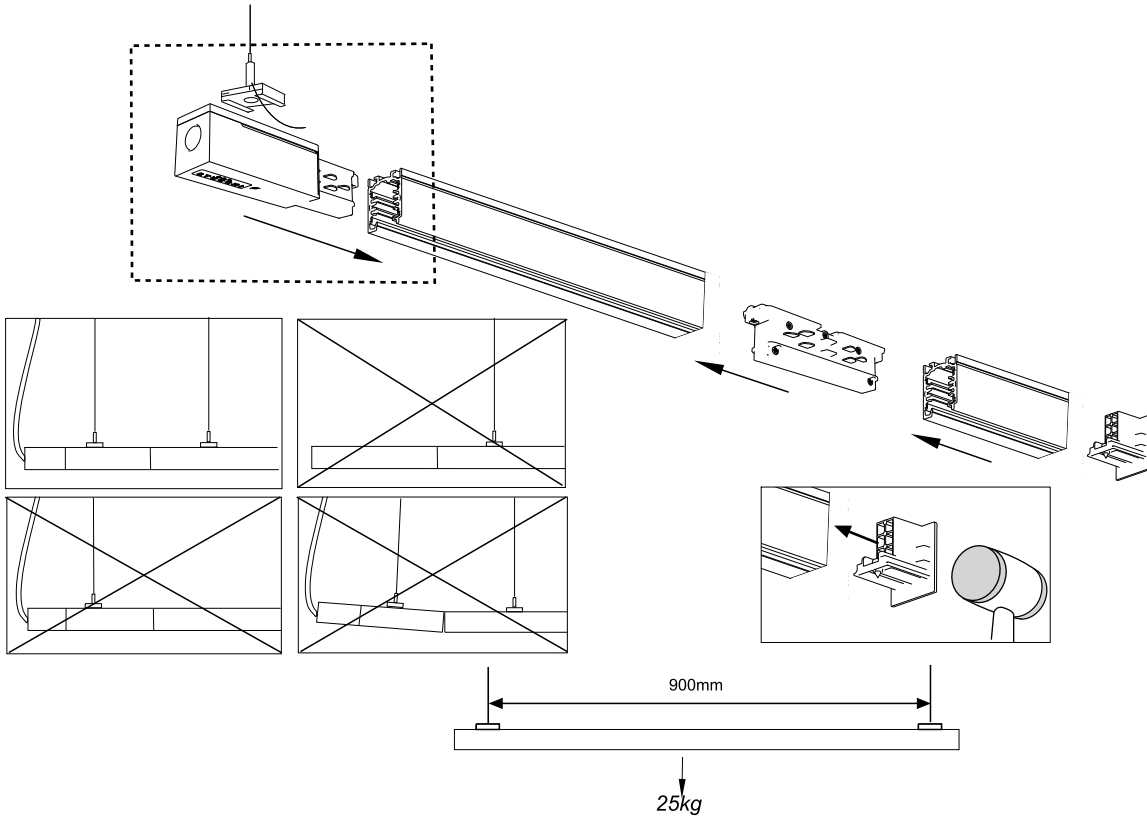


Supply Coupler	Linear Coupler	L- Coupler	T- Coupler	X- Coupler	Flex- Coupler
					

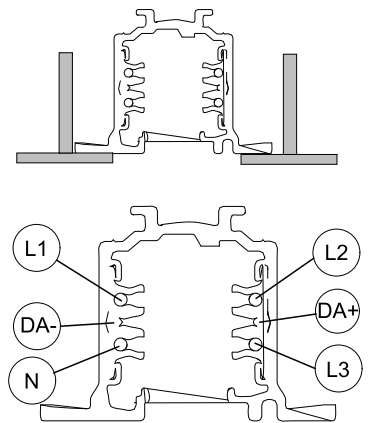
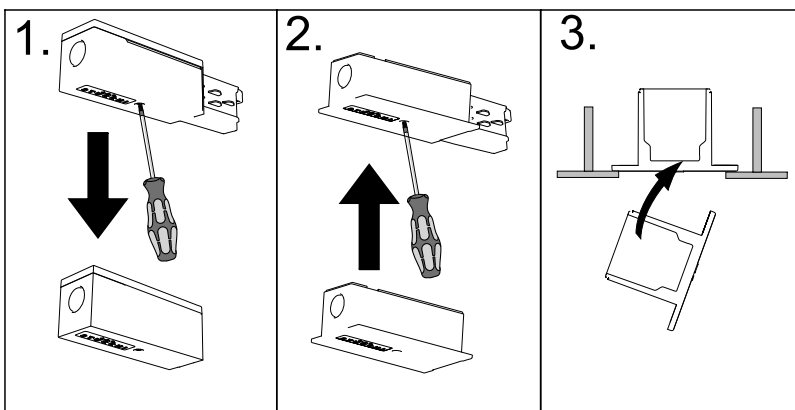
Line positions in the track



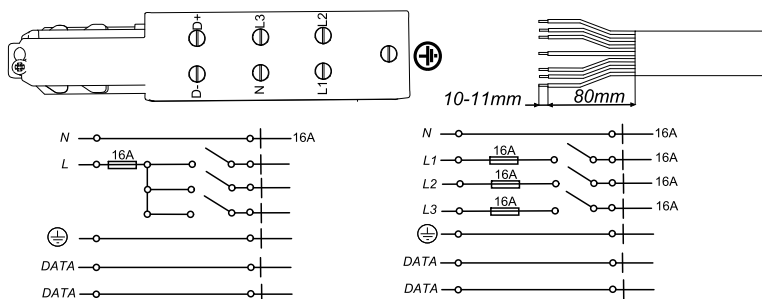
No	Part	White	Grey	Black
1	Control Track, Surface mounted	82497	82493	82498
2	Control Track main end feed, left	82500	82501	82502
2	Control Track main end feed, right	82503	82504	82505
3	Control Track middle feed	82506	82507	82508
4	Control Track L-Coupler, left	82509	82510	82511
4	Control Track L-Coupler, right	82512	82513	82514
5	Control Track T-Couplet, left	82515	82516	82517
5	Control Track T-Couplet, right	82518	82519	82520
6	Control Track X-Coupler	82521	82522	82523
7	Control Track straight coupler	82524	82525	82526
8	Control Track adjustable coupler	82527	82528	82529
9	Control Track end cap	82530	82531	82532



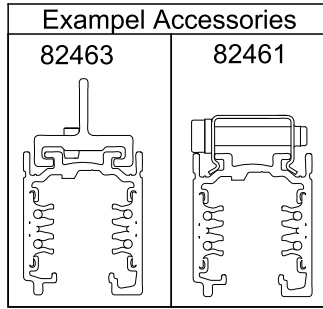
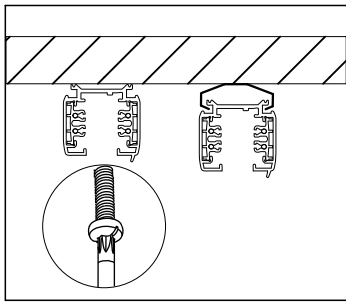
Recessed



Electrical schematic



Accessories / Suspension alternatives



		WHITE	GREY	BLACK
A	COMPLETE PENDANT PACKAGE 4M WIRE	97956	97957	97958
B	M6 ROD CEILING PACKAGE 2M	82570-1000	82571-1000	82572-1000
C	TRACK CLIP FOR T-BAR CEILING	82496	-	-
D	CLIPS T-BAR CEILING FOR WIRE PACKAGE	-	-	-

